



300
Mbps

Indoor High Power Ceiling AP/Router/Repeater

Boost your wireless signal and enjoy ultimate coverage with a PoE Access Point

- High Power 300Mbps Access Point
- 2*5 dBi MIMO Antenna
- WPA/WPA2 encryptions for defence against security threats
- Seamlessly compatible with 802.11b/g/n devices
- Supports 24V/1A PoE
- Support Multiple SSID
- Support 802.1Q VLAN



OVERVIEW

AirPro SDX9500S is a best-in-class 802.11n indoor access point designed specifically for business-class environments such as hotels, airports, coffee shops, shopping center's, sporting venues, and university campus. With transfer rates of up to 300Mbps in the 2.4 GHz frequency range, the device provides an adequate level of service to all users who connect with legacy 802.11b/g adapters in addition to the latest 802.11n adapters for faster downloads and instant communication. Integrated Power over Ethernet (PoE) allows installation in areas where power outlets are not readily available. Internally equipped with 2X2 multiple-input, multiple-output (MIMO) antennas improve range and maximize data rates. Field-tested to wirelessly cover 5-7 hotel rooms at an indoor operating distance of 40-50 meters and allow simultaneous accesses by up to 30-40 users.

KEY FEATURES

- High Power 300Mbps Access Point
- 2*5 dBi MIMO Antenna
- WPA/WPA2 encryptions for defence against security threats
- Seamlessly compatible with 802.11b/g/n devices
- Supports 24V/1A PoE
- Support Multiple SSID
- Support 802.1Q VLAN

CEILING MOUNT ACCESS POINT OTHER MODELS



XDS9500S

300 Mbps Ceiling Mount AP

- High Power 300Mbps Access Point • 2*5 dBi MIMO Antenna
- WPA/WPA2 encryptions for defence against security threats
- Seamlessly compatible with 802.11b/g/n devices
- Supports 24V/1A PoE • Support Multiple SSID
- Support 802.1Q VLAN



Air M600

600 Mbps Ceiling Mount AP

- High Power 600Mbps Access Point • 4*5 dBi MIMO Antenna
- WPA/WPA2 encryptions for defence against security threats
- Seamlessly compatible with 802.11b/g/n devices
- Supports 24V/1A PoE • Support Multiple SSID
- Support 802.1Q VLAN



Air M750

750 Mbps Ceiling Mount AP

- High Power AC Dual Band 750Mbps Access Point
- 3*5 dBi MIMO Antenna • Support Multiple SSID
- WPA/WPA2 encryptions for defence against security threats
- Seamlessly compatible with 802.11a/b/g/n devices
- Supports 24V/1A PoE • Support 802.1Q VLAN



Air M1200

1200 Mbps Ceiling Mount AP

- High Power AC Dual Band 1200Mbps Access Point
- 4*5 dBi MIMO Antenna
- WPA/WPA2 encryptions for defence against security threats
- Seamlessly compatible with 802.11a/b/g/n devices
- Supports 24V/1A PoE • Support Multiple SSID
- Support 802.1Q VLAN • Supports 24V/1A PoE / 48V PoE

TECHNICAL SPECIFICATIONS

Hardware	
MCU	MTK 7620A
RF	2T2R, 300Mbps MIMO comply with IEEE 802.11N standard
Memory	64MB DDR RAM
Flash	8MB
Interface	2 x RJ-45 for 10/100 Mbps WAN/LAN Port (Support 12V/24V POE) 1 x Reset button (Reset & Factory Defaults) 1 x Power DC Jack
Power	12V(POE 12V/24V)/1A; or 802.3af, 48V PoE, 110V/220V
Antenna	Build in 4PCS Omni 5dbi antenna
Size	16.8*4.5CM

RF Data				
Frequency	802.11b/g/n: 2.4~2.4835GHz U.S., Europe and Japan product covering 2.400 to 2.4835 GHz, programmable for different country regulations			
Modulation	OFDM = BPSK,QPSK, 16-QAM, 64-QAM DSSS = DBPSK, DQPSK, CCK			
Throughput	300 Mbps			
Sensitivity	802.11n(2.4GHz)	802.11g	802.11b	
	-90dBm @ MCS0	- 90dBm @ 6Mbps	- 95dBm @ 1Mbps	
	-70dBm @ MCS7	- 72dBm @ 54Mbps	- 90dBm @ 11Mbps	
	-90dBm @ MCS8			
	-68dBm @ MCS15			
Output Power		Radio1(WLAN1)		
		802.11n(2.4GHz)(± 1.5dBm)	802.11g(± 1.5dBm)	802.11b(±1.5dBm)
		24dBm@ MCS0~2/MCS8~10	24dBm @ 6~24Mbps	27dBm @1~11Mbps
		24dBm @ MCS3/MCS11	24dBm @ 36Mbps	
		24dBm @ MCS4/MCS12	24dBm @ 48Mbps	
		24dBm @ MCS5/MCS13	24dBm @ 54Mbps	
		24dBm @ MCS6/MCS14		
		24dBm @ MCS7/MCS15		

TECHNICAL SPECIFICATIONS

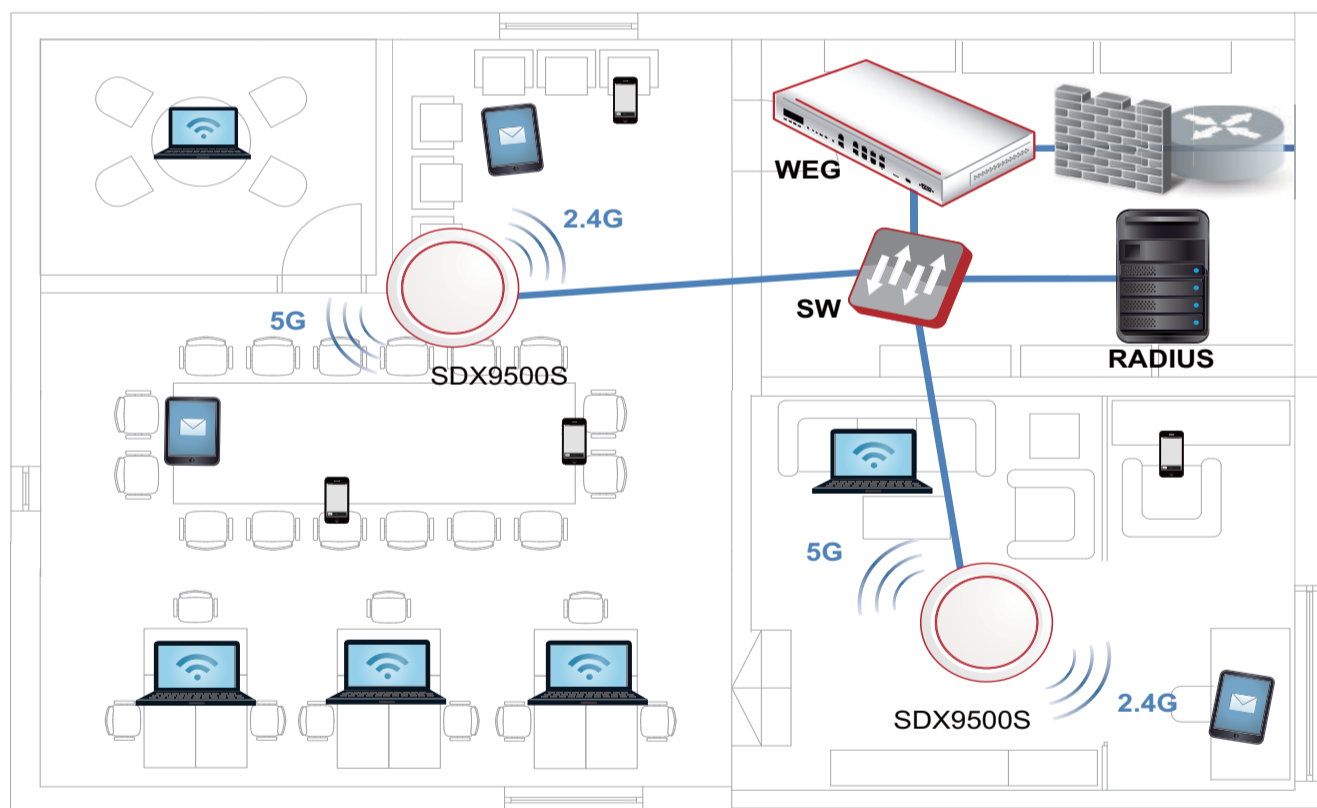
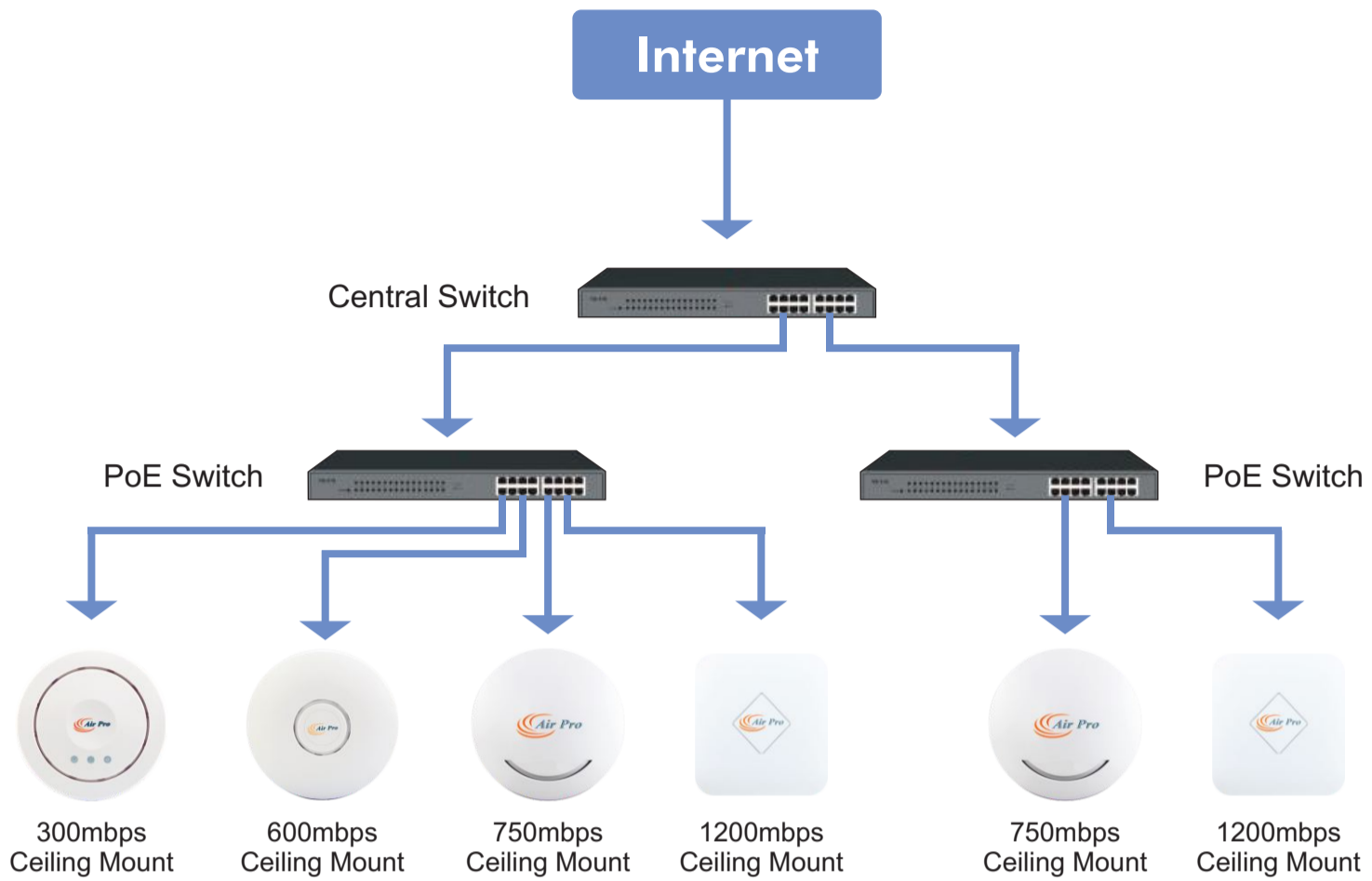
Software	
Operation Mode	Wireless AP, Client
Protocol/Standard	IEEE 802.3(Ethernet) IEEE 802.3u(Fast Ethernet) IEEE 802.11b/g/n(2.4G WLAN)
Wireless	Auto-Channel selection Distance Control (802.1x Ack timeout) Multiple SSID (8 SSID) BSSID
Security	WEP Encryption-64/128/152 bit WPA/WPA2 Personal (WPA-PSK using TKIP or AES) WPA/WPA2 Enterprise (WPA-EAP using TKIP) Hide SSID
System Setting	Web-based configuration (HTTP/Telnet)
Firmware upgrade	Upgrade firmware via web browser or TFTP
Administration	Admin Password can be configured
System monitoring	Status in hand , useful statistic and Event log
Log	Supports local logs, logs host, logs file export
Reset	Reset or factory defaults
Backup	Restore settings & configuration of the device to local file

Physical Property	
Humidity	5%~95% (typical)

Certificate	
Certificate	CE FCC

Package Contents	
<ul style="list-style-type: none"> • AIR XDS9500S Unit • PoE Adapter 24V/1A • User Manual • LAN Cable & Clamp 	

AirPro Wi-fi Solution



www.airpro.in