



**1200**  
Mbps

## High Power AC Dual Band Wireless Access Point

Boost your wireless signal and enjoy ultimate coverage with a PoE Access Point

- High Power AC Dual Band 1200Mbps Access Point
- 4\*5 dBi MIMO Antenna
- WPA/WPA2 encryptions for defence against security threats
- Seamlessly compatible with 802.11b/g/n devices
- Supports 24V/1A PoE
- Support Multiple SSID
- Support 802.1Q VLAN



## OVERVIEW

AirPro Air M1200 AC is a new ceiling style wireless access point upgrade to the latest wireless-AC technology, High Wi-Fi speed allowing content to download faster and large video or music files to sync more quickly and stream seamlessly. Embed PoE and high powered signal amplifiers. It make the Wi-Fi range is 5x than standard wireless access point. Cost effectively in large area Wi-Fi solution.

AirPro AC dual band Ceiling Access Point offers AC technology for seamless/smooth video and music streaming. More than 100 users including computers, Internet-ready TVs, game consoles, and other Wi-Fi devices can access into this wireless networking at transfer rates up to 1200Mbps speed.

## KEY FEATURES

- High Power AC Dual Band 1200Mbps Access Point
- 4\*5 dbi MIMO Antenna
- WPA/WPA2 encryptions for defence against security threats
- Seamlessly compatible with 802.11b/g/n devices
- Supports 24V/1A PoE
- Support Multiple SSID
- Support 802.1Q VLAN

## CEILING MOUNT ACCESS POINT OTHER MODELS



### XDS9500S

#### 300 Mbps Ceiling Mount AP

- High Power 300Mbps Access Point • 2\*5 dbi MIMO Antenna
- WPA/WPA2 encryptions for defence against security threats
- Seamlessly compatible with 802.11b/g/n devices
- Supports 24V/1A PoE • Support Multiple SSID
- Support 802.1Q VLAN



### Air M600

#### 600 Mbps Ceiling Mount AP

- High Power 600Mbps Access Point • 4\*5 dbi MIMO Antenna
- WPA/WPA2 encryptions for defence against security threats
- Seamlessly compatible with 802.11b/g/n devices
- Supports 24V/1A PoE • Support Multiple SSID
- Support 802.1Q VLAN



### Air M750

#### 750 Mbps Ceiling Mount AP

- High Power AC Dual Band 750Mbps Access Point
- 3\*5 dbi MIMO Antenna • Support Multiple SSID
- WPA/WPA2 encryptions for defence against security threats
- Seamlessly compatible with 802.11a/b/g/n devices
- Supports 24V/1A PoE • Support 802.1Q VLAN



### Air M1200

#### 1200 Mbps Ceiling Mount AP

- High Power AC Dual Band 1200Mbps Access Point
- 4\*5 dbi MIMO Antenna
- WPA/WPA2 encryptions for defence against security threats
- Seamlessly compatible with 802.11a/b/g/n devices
- Supports 24V/1A PoE • Support Multiple SSID
- Support 802.1Q VLAN • Supports 24V/1A PoE / 48V PoE

**TECHNICAL SPECIFICATIONS**

Wireless Features	
Wireless Standards	IEEE 802.11ac/n/a 5GHz IEEE 802.11n/g/b 2.4GHz
Frequency	5GHz and 2.4GHz
Signal Rate	5GHz: Up to 900Mbps 2.4GHz: Up to 300Mbps
EIRP	<20dBm(EIRP)
EIRP	<20dBm(EIRP)
Reception Sensitivity	5GHz: 11a 6Mbps: -95dBm 27DB 11a 54Mbps: -75dBm 24DB 11ac HT20: -70dBm 24DB 11ac HT40: -66dBm 24DB 11ac HT80: -63dBm 22DB 11n HT20: -72dBm 24DB 11n HT40: -70dBm 24DB 2.4GHz: 11g 54M: -75dBm 24DB 11n HT20: -72dBm 24DB 11n HT40: -70dBm 23DB
RF Power	5GHz: 11a 6Mbps: 27DBM 11a 54Mbps: 24DBM 11ac HT20: 24DBM 11ac HT40: 24DBM 11ac HT80: 22DBM 11n HT20: 24DBM 11n HT40: 24DBM 2.4GHz: 11g 54M: 24DBM 11n HT20: 24DBM 11n HT40: 23DBM
Wireless	Auto-Channel selection Distance Control (802.1x Ack timeout) Multiple SSID (8 SSID) BSSID
	Enable/Disable Wireless Radio, Wireless access point, Wi-Fi repeater, Gateway
Wireless Security	64/128-bit WEP, WPA / WPA2, WPA-PSK/ WPA2-PSK encryption

**TECHNICAL SPECIFICATIONS**

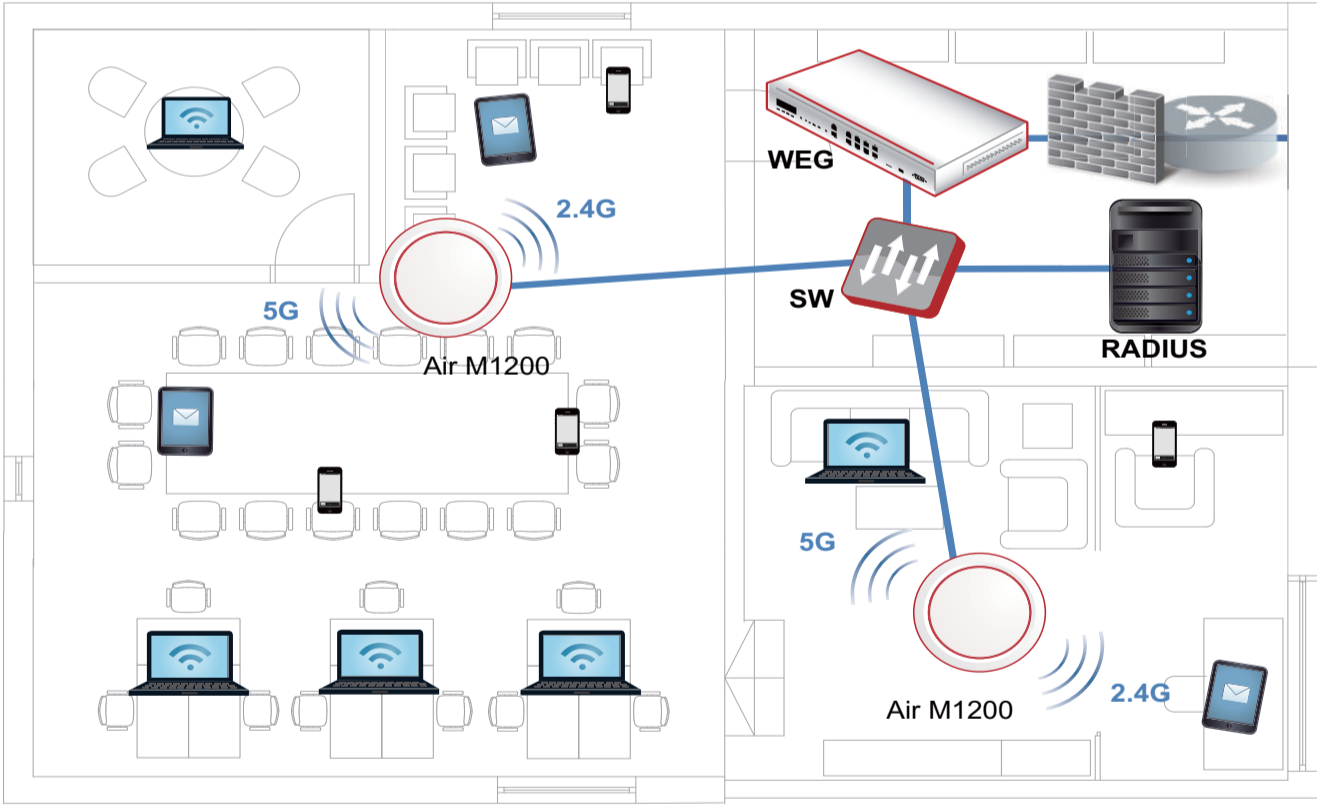
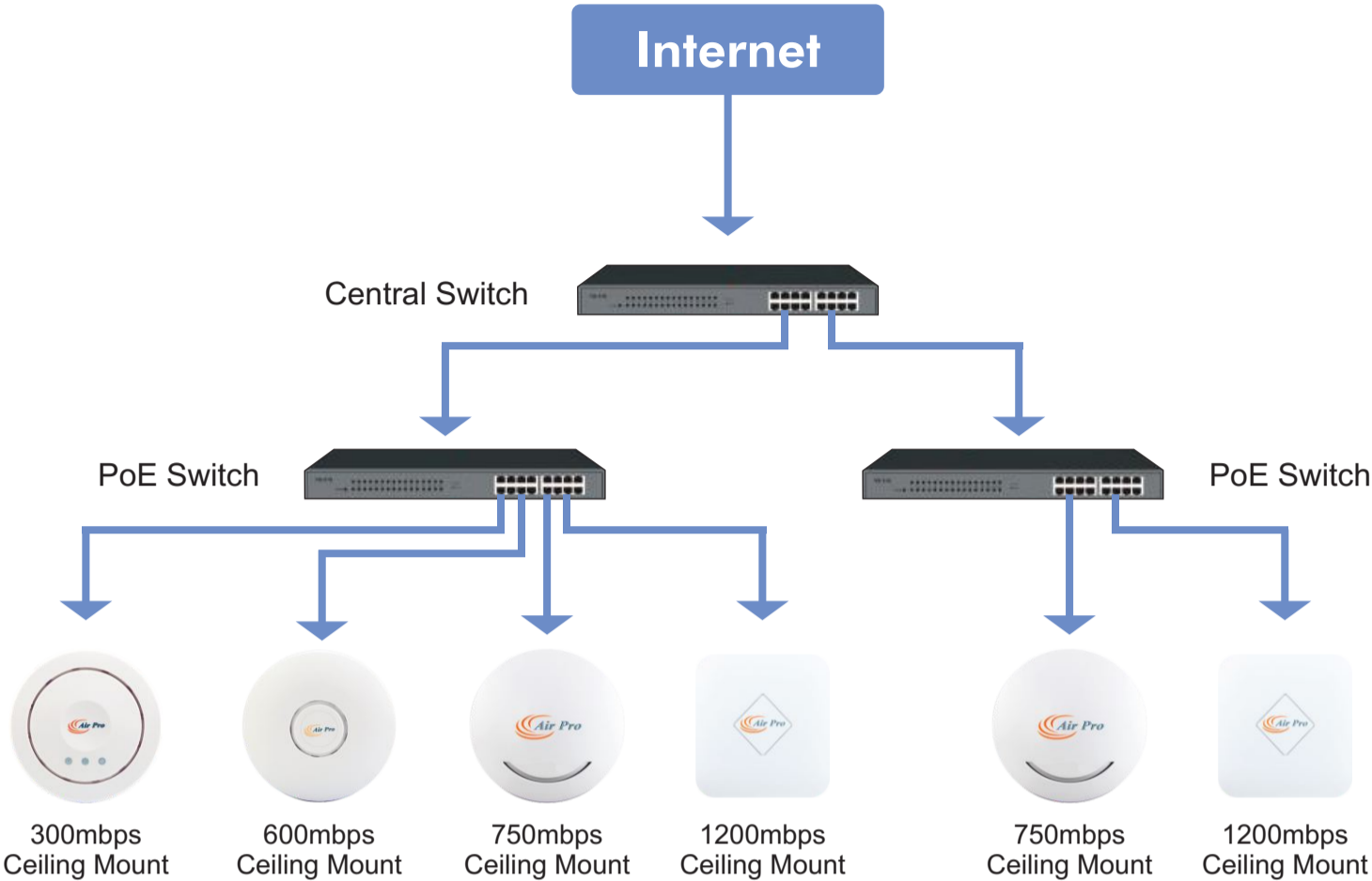
Software Features	
WAN Type	Dynamic IP/Static IP/PPPoE/ L2TP(Dual Access) /PPTP(Dual Access)
DHCP	Server, Client, DHCP Client List
Quality of Service	WMM, Bandwidth Control
Port Forwarding	Virtual Server, UPnP, DMZ
VPN Pass-Through	PPTP, L2TP
Access Control	Local Management Control, Remote control
Firewall Security	DoS, SPI Firewall IP Address Filter/MAC Address Filter/Domain Filter IP and MAC Address Binding
Protocols	Supports Ipv4
Management	• Access Control • Local Management • Remote Management
Guest Network	2.4GHz guest network × 1 5GHz guest network × 1

Management	
System Settings	Web-based configuration (HTTP/Telnet), Access Control System (SNMP)
Firmware Upgrade	Upgrade firmware via web browser or TFTP
Administration	Admin Password can be configured
System monitoring	Watch dog, Status in hand , useful statistic and Event log
Logs	Supports local logs, logs host, logs file export
Reset	Reset or factory defaults
Backup	Restore settings & configuration of the device to local file, Scheduled reboot

Others	
Certification	CE FCC
Package Contents	1200Mbps Dual Band wireless access point Ethernet Cable, Quick Installation Guide, Setting Accessory, Warranty Card
System Requirements	Microsoft Windows 98SE, NT, 2000, XP, Vista™ or Windows 7, Windows 8, MAC OS, NetWare, UNIX or Linux
Environment	Operating Temperature : 0°C ~ 40°C (32°F~104°F) Storage Temperature : 40°C ~ 70°C (-40°F~158°F) Operating Humidity : 10% ~90% non-condensing Storage Humidity : 5% ~90% non-condensing

Package Contents	
	<ul style="list-style-type: none"> <li>• AIR M1200 Unit</li> <li>• PoE Adapter 24V/1A</li> <li>• User Manual</li> <li>• LAN Cable &amp; Clamp</li> </ul>

# AirPro Wi-fi Solution



[www.airpro.in](http://www.airpro.in)