



600
Mbps

Indoor High Power Ceiling AP/Router/Repeater

Boost your wireless signal and enjoy ultimate coverage with a PoE Access Point

- High Power 600Mbps Access Point
- 4*5 dBi MIMO Antenna
- WPA/WPA2 encryptions for defence against security threats
- Seamlessly compatible with 802.11b/g/n devices
- Supports 24V/1A PoE
- Support Multiple SSID
- Support 802.1Q VLAN



OVERVIEW

AirPro M600 is a new ceiling style wireless access point with 600Mbps high speed, with MIMO 4*5dBi antenna and 500mW high power, the Wi-Fi range is 5x than standard wireless access point.

Support PoE, then work with AirPro controller Access Controller System, it is a best choice for large area Wi-Fi solution, earlier and more users With 4X4 MIMO technology, the speed and bandwidth of Wireless-N, today's most advanced wireless technology make it easy for 60~100 users to share internet access, files and printing; Enjoy media-intensive activities like gaming, video and voice-over-IP phone calls all at once, with less lag and performance degradation.

KEY FEATURES

- High Power 600Mbps Access Point
- 4*5 dBi MIMO Antenna
- WPA/WPA2 encryptions for defence against security threats
- Seamlessly compatible with 802.11b/g/n devices
- Supports 24V/1A PoE
- Support Multiple SSID
- Support 802.1Q VLAN

CEILING MOUNT ACCESS POINT OTHER MODELS



XDS9500S

300 Mbps Ceiling Mount AP

- High Power 300Mbps Access Point • 2*5 dBi MIMO Antenna
- WPA/WPA2 encryptions for defence against security threats
- Seamlessly compatible with 802.11b/g/n devices
- Supports 24V/1A PoE • Support Multiple SSID
- Support 802.1Q VLAN



Air M600

600 Mbps Ceiling Mount AP

- High Power 600Mbps Access Point • 4*5 dBi MIMO Antenna
- WPA/WPA2 encryptions for defence against security threats
- Seamlessly compatible with 802.11b/g/n devices
- Supports 24V/1A PoE • Support Multiple SSID
- Support 802.1Q VLAN



Air M750

750 Mbps Ceiling Mount AP

- High Power AC Dual Band 750Mbps Access Point
- 3*5 dBi MIMO Antenna • Support Multiple SSID
- WPA/WPA2 encryptions for defence against security threats
- Seamlessly compatible with 802.11a/b/g/n devices
- Supports 24V/1A PoE • Support 802.1Q VLAN



Air M1200

1200 Mbps Ceiling Mount AP

- High Power AC Dual Band 1200Mbps Access Point
- 4*5 dBi MIMO Antenna
- WPA/WPA2 encryptions for defence against security threats
- Seamlessly compatible with 802.11a/b/g/n devices
- Supports 24V/1A PoE • Support Multiple SSID
- Support 802.1Q VLAN • Supports 24V/1A PoE / 48V PoE

TECHNICAL SPECIFICATIONS

Hardware	
MCU	MTK 7620A
RF	4T4R, 600Mbps MIMO comply with IEEE 802.11N standard
Memory	128MB DDR RAM
Flash	16MB
Interface	2 x RJ-45 for 10/100 Mbps WAN/LAN Port (Support 12V/24V POE) 1 x Reset button (Reset & Factory Defaults) 1 x Power DC Jack
Power	12V(POE 12V/24V)/1A; or 802.3af, 48V PoE, 110V/220V
Antenna	Build in 4PCS Omni 5dbi antenna
Size	18.8*4.5CM

RF Data			
Frequency	802.11b/g/n: 2.4~2.4835GHz U.S., Europe and Japan product covering 2.400 to 2.4835 GHz, programmable for different country regulations		
Modulation	OFDM = BPSK,QPSK, 16-QAM, 64-QAM DSSS = DBPSK, DQPSK, CCK		
Throughput	600 Mbps		
Sensitivity	802.11n(2.4GHz)	802.11g	802.11b
	-90dBm @ MCS0	- 90dBm @ 6Mbps	- 95dBm @ 1Mbps
	-70dBm @ MCS7	- 73dBm @ 54Mbps	- 93dBm @ 11Mbps
	-90dBm @ MCS8		
	-68dBm @ MCS15		
Output Power		Radio1(WLAN1)	
	802.11n(2.4GHz)(± 1.5dBm)	802.11g(± 1.5dBm)	802.11b(±1.5dBm)
	26dBm@ MCS0~2/MCS8~10	26dBm @ 6~24Mbps	29dBm @1~11Mbps
	26dBm @ MCS3/MCS11	26dBm @ 36Mbps	
	26dBm @ MCS4/MCS12	26dBm @ 48Mbps	
	26dBm @ MCS5/MCS13	26dBm @ 54Mbps	
	26dBm @ MCS6/MCS14		
	26dBm @ MCS7/MCS15		

TECHNICAL SPECIFICATIONS

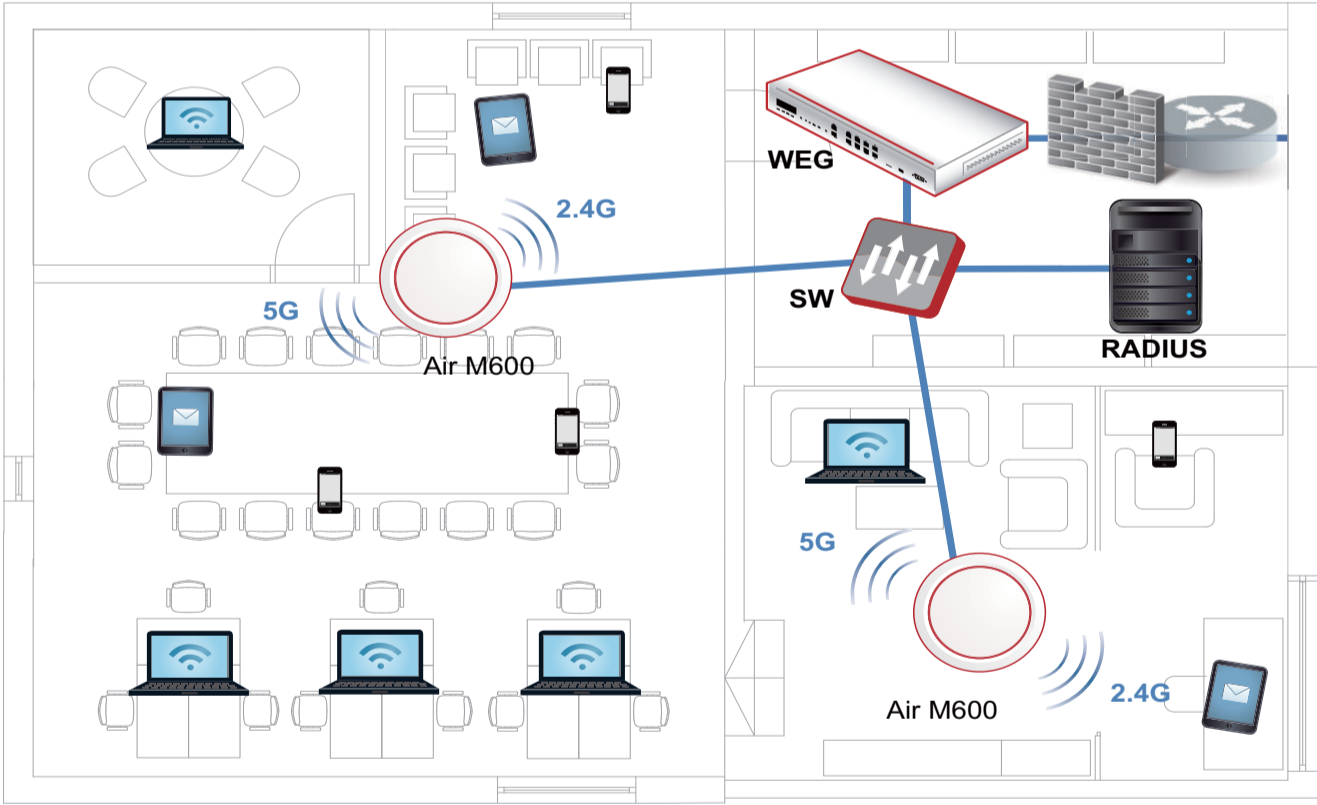
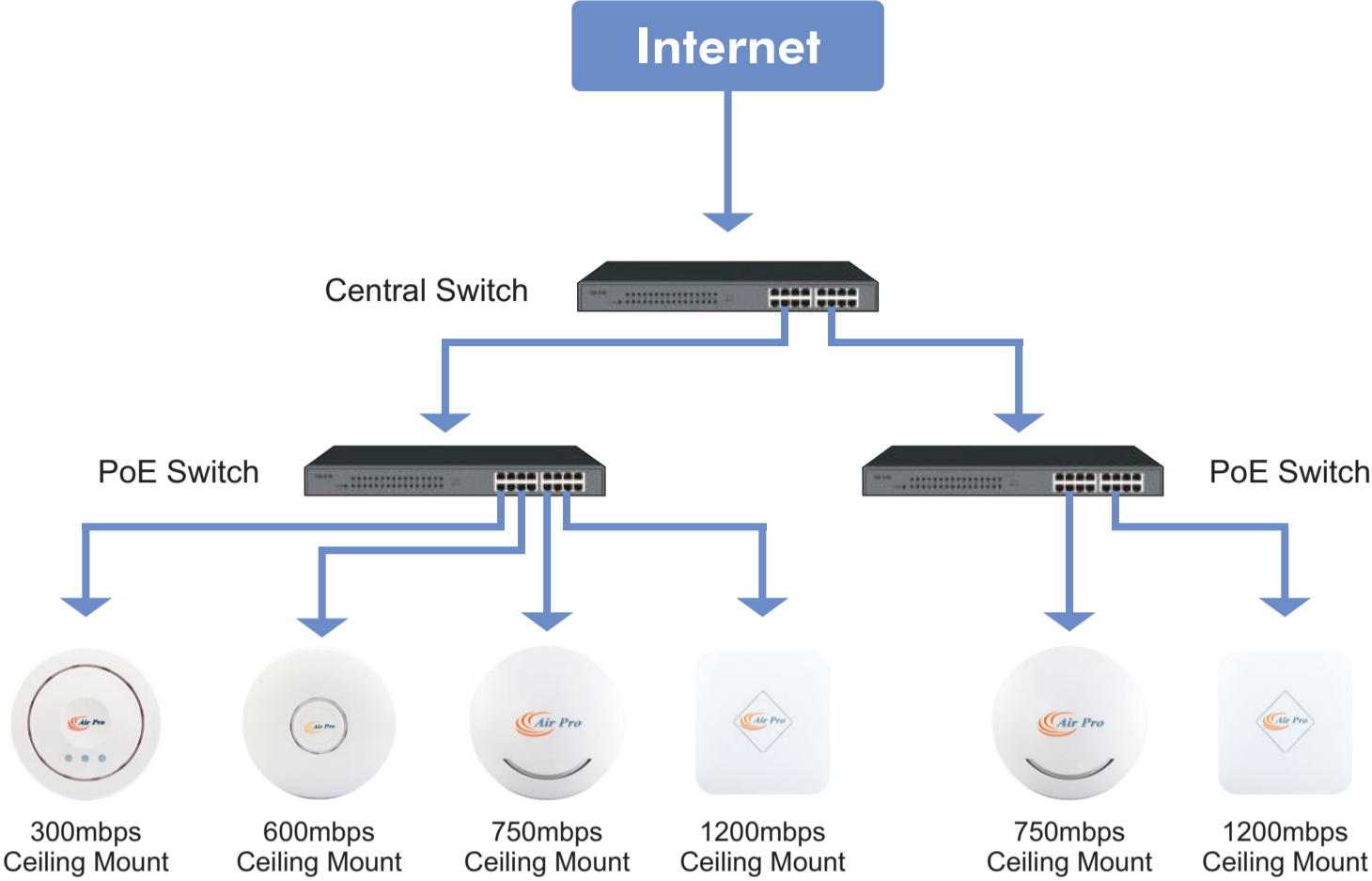
Software	
Operation Mode	Wireless AP, Client
Protocol/Standard	IEEE 802.3(Ethernet) IEEE 802.3u(Fast Ethernet) IEEE 802.11b/g/n(2.4G WLAN)
Wireless	Auto-Channel selection Distance Control (802.1x Ack timeout) Multiple SSID (8 SSID) BSSID
Security	WEP Encryption-64/128/152 bit WPA/WPA2 Personal (WPA-PSK using TKIP or AES) WPA/WPA2 Enterprise (WPA-EAP using TKIP) Hide SSID
System Setting	Web-based configuration (HTTP/Telnet)
Firmware upgrade	Upgrade firmware via web browser or TFTP
Administration	Admin Password can be configured
System monitoring	Status in hand , useful statistic and Event log
Log	Supports local logs, logs host, logs file export
Reset	Reset or factory defaults
Backup	Restore settings & configuration of the device to local file

Physical Property	
Temperature	Working: 0°C~55°C Storage: -20°C to 70°C
Humidity	5%~95% (typical)

Certificate	
Certificate	CE FCC

Package Contents
<ul style="list-style-type: none"> AIR M600 Unit PoE Adapter 24V/1A User Manual LAN Cable & Clamp

AirPro Wi-fi Solution



www.airpro.in