



2200Mbps WAVE2 11ac Dual Band Access Point

XDS6500

Boost your wireless signal and enjoy ultimate coverage with a PoE Access Point

- Comply with IEEE 802.11ac/b/g/n, tri-band, 2200Mbps Data Rate.
- 1*10/100/1000Mbps WAN Port, 1*10/100/1000Mbps LAN Port, Gigabit Ethernet.
- 500mW high power, build in 5dBi MIMO antenna, stronger signal strength, more wireless coverage, 32M Flash, 512M DDR3 RAM, more user, more stable.
- Support active IEEE 802.3at 48V PoE standard.
- Support SSID broadcasting, Multi SSID up to 12 (4 SSID in 2.4GHz, 8 SSID in 5GHz).
- Support Gateway (PPPOE, static IP, dynamic IP), Wireless AP, Repeater, WISP operation mode.



OVERVIEW

XDS6500 is an 11ac Wi-Fi standard Qualcomm Chipset high power industrial Ceiling Wireless Access Point support MU-MIMO, Wave2.0.Combined 2200Mbps Wi-Fi speed over 3 radios: 2.4GHz(400Mbps)+5GHz(900Mbps)+5GHz(900Mbps), equipped Gigabit WAN & LAN port, fast Ethernet data rate make more than 200 end users can access into XD6500 with faster speed, make them to enjoy seamless HD movies, streaming, online gaming, wireless security and other bandwidth-intensive tasks, widely be used in school, hospital, hotel, office, shipping mall...

HIGH POWER FOR MORE RANGE AND STABLE SIGNAL:

Designed in Power Amplifier on PCB board, the power can be 500mW high power, 5dBi MIMO high gain antenna, together with Ceiling mount, greatly increase the wireless range and supply the stable Wi-Fi signal for users.

METAL CASE, PERFECT HEAT DISSIPATION TO EXTEND THE WORKING LIFE:

The bottom shell with metal shell, improved the heat dissipation function, make it work as normal in -30°C to 70°C, extend the device working life.

WAVE 2 TECHNOLOGY:

With Wave 2 Technology, it adopt 256QAM modulation, support MU-MIMO (Multi-User Multiple-Input Multiple-Output), 8 Spatial Steams, greatly to improve the communication efficiency.

POWER OVER ETHERNET AND DC POWER AVAILABLE:

XDS6500 has integrated IEEE802.3at Power over Ethernet (PoE), for easy installation and lower cost. What's more, it support DC input if need, So it can be installed in areas where power outlets are not readily available, eliminating the mess of altering existing network infrastructure.

ACCESS CONTROLLER SYSTEM & CLOUD MANAGEMENT SYSTEM:

With Access Control System, plug and play, zero configure the AP's IP address, ESSID, Channel, Password, upgrade firmware, backup and restore. What's more, the AC controller with local authentication function, easy to do advertisement and captive portal authentication like Member/WeChat/SMS login. Besides that, administrator can remote manage the AC controller or wireless AP at any place/time, simple and cost save in maintenance.

KEY FEATURES

- Comply with IEEE 802.11ac/b/g/n, tri-band, 2200Mbps Data Rate.
- 1*10/100/1000Mbps WAN Port, 1*10/100/1000Mbps LAN Port, Gigabit Ethernet.
- 500mW high power, build in 5dBi MIMO antenna, stronger signal strength, more wireless coverage, 32M Flash, 512M DDR3 RAM, more user, more stable.
- Support active IEEE 802.3at 48V PoE standard.
- Support SSID broadcasting, Multi SSID up to 12 (4 SSID in 2.4GHz, 8 SSID in 5GHz).
- Support Gateway (PPPOE, static IP, dynamic IP), Wireless AP, Repeater, WISP operation mode.
- With function of build in firewall, IP filter, URL filter and MAC filter.
- Comply with IEEE 802.3az standard, RF power adjustment and frequency analyzer for better application in different environment.
- Support DDNS, VPN pass through, Port forwarding and DMZ host.
- Support 64/128-bit WEP security, EAP, 128bit WPA (TKIP/AES) security.

CEILING MOUNT ACCESS POINT OTHER MODELS



XDS9500S

300Mbps Ceiling Mount AP

- High Power 300Mbps Access Point • 2*5 dBi MIMO Antenna
- WPA/WPA2 encryptions for defence against security threats
- Seamlessly compatible with 802.11b/g/n devices
- Supports 24V/1A PoE • Support Multiple SSID
- Support 802.1Q VLAN



Air M600

600Mbps Ceiling Mount AP

- High Power 600Mbps Access Point • 3*5 dBi MIMO Antenna
- WPA/WPA2 encryptions for defence against security threats
- Seamlessly compatible with 802.11b/g/n devices
- Supports 24V/1A PoE • Support Multiple SSID
- Support 802.1Q VLAN



Air M750

750Mbps Ceiling Mount AP

- High Power AC Dual Band 750Mbps Access Point
- 4 dBi MIMO Antenna • Support Multiple SSID
- WPA/WPA2 encryptions for defence against security threats
- Seamlessly compatible with 802.11a/b/g/n devices
- Supports 24V/1A PoE • Support 802.1Q VLAN



Air M1200

1200Mbps Ceiling Mount AP

- High Power AC Dual Band 1200Mbps Access Point
- 4*5 dBi MIMO Antenna
- WPA/WPA2 encryptions for defence against security threats
- Seamlessly compatible with 802.11a/b/g/n devices
- Supports 24V/1A PoE • Support Multiple SSID
- Support 802.1Q VLAN • Supports 24V/1A PoE / 48V PoE

TECHNICAL SPECIFICATIONS

Hardware	
Chipset	Qualcomm IPQ4019+QCA9886+QCA8075
Standard	802.11ac/b/g/n, MIMO technology
Memory	512MB DDR3 RAM
Flash	32MB
Interface	1 * 10/100 /1000Mbps RJ45 WAN Port 1 * 10/100 / 1000Mbps RJ45 LAN Port 1 * Reset button, press 10 seconds to revert to default setting
Antenna	Build in 5dBi MIMO Antenna
Power consumption	48V PoE<30W
Size	198mm X 32mm

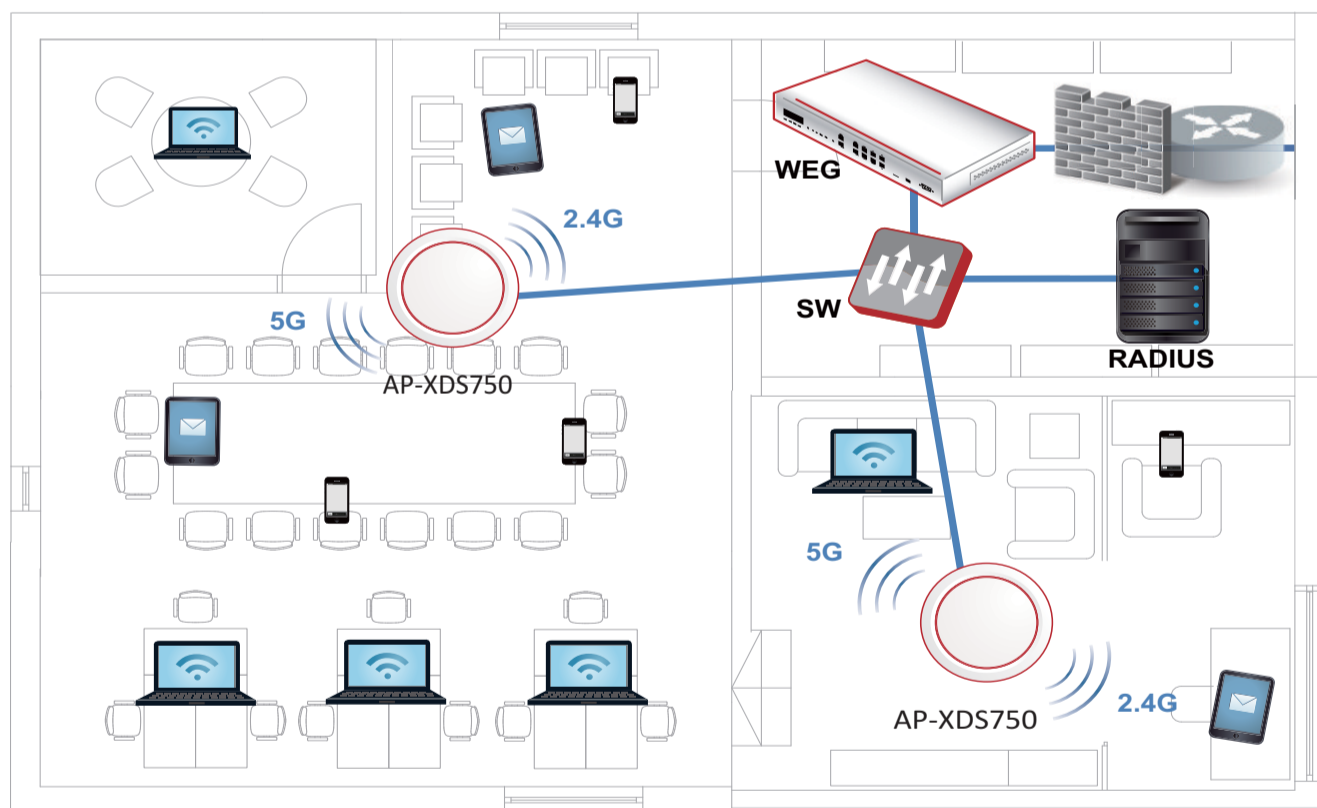
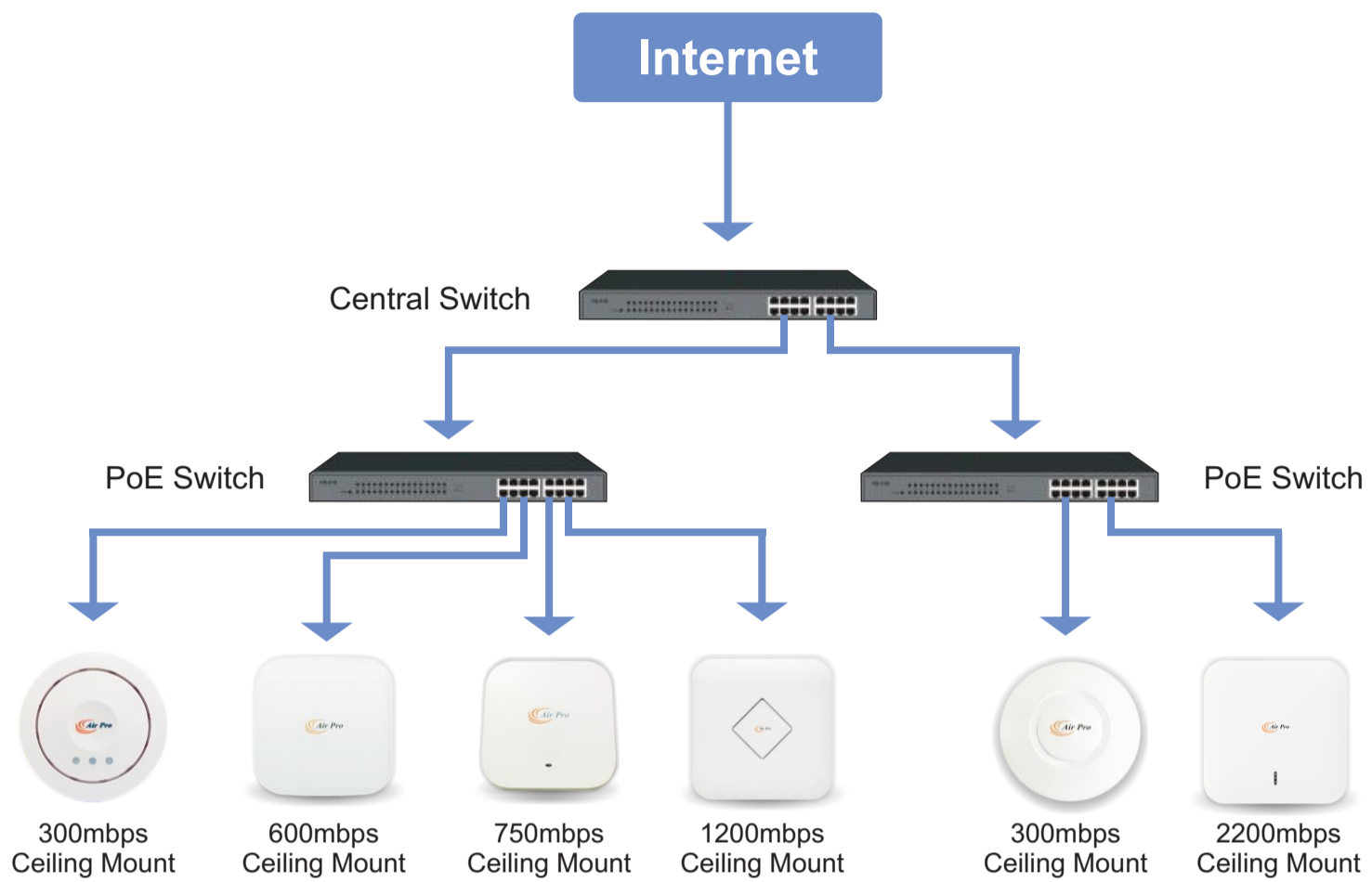
RF Data					
Frequency	2.4G:802.11b/g/n: 2.4GHz – 2.484GHz 5GHz:802.11a/n/ac MIMO: 5.150GHz~5.850GHz				
Country code	FCC, IC, ETSI, MKK, MKK1, MKK2, MKK3, NCC, RUSSIAN, CN				
Modulation	OFDM = BPSK,QPSK, 16-QAM, 64-QAM, 128-QAM, 256-QAM DSSS = DBPSK, DQPSK, CCK				
Throughput	2200Mbps				
2.4G RF Power (IPQ4019)	802.11b	11M	23±2dBm	1M	25±2dBm
	802.11g	54M	22±2dBm	6M	24±2dBm
	802.11n HT20	MCS7	21±2dBm	MCS0	23±2dBm
	802.11n HT40	MCS7	21±2dBm	MCS0	23±2dBm
5G RF Power (IPQ4019)	802.11a	54M	19±2dBm	6M	21±2dBm
	802.11n HT20	MCS7	18±2dBm	MCS0	20±2dBm
	802.11n HT40	MCS7	18±2dBm	MCS0	20±2dBm
5G RF Power (QCA9886)	802.11ac HT80	MCS9	17±2dBm	MCS0	19±2dBm
	802.11a	54M	19±2dBm	6M	21±2dBm
	802.11n HT20	MCS7	18±2dBm	MCS0	20±2dBm
2.4G Receive Sensitivity	802.11n HT40	MCS7	18±2dBm	MCS0	20±2dBm
	802.11ac HT80	MCS9	17±2dBm	MCS0	19±2dBm
	802.11b	11M	-85dBm	1M	-94dBm
5G Receive Sensitivity	802.11g	54M	-72dBm	6M	-90dBm
	802.11n HT20	MCS7	-70dBm	MCS0	-88dBm
	802.11n HT40	MCS7	-68dBm	MCS0	-86dBm
	802.11a	54M	-72dBm	6M	-90dBm
EVM	802.11n HT20	MCS7	-70dBm	MCS0	-88dBm
	802.11n HT40	MCS7	-68dBm	MCS0	-86dBm
	802.11ac HT80	MCS9	-58dBm	MCS0	-85dBm
PPM	±20ppm				
Max Users	256+				

TECHNICAL SPECIFICATIONS

Firmware Features	
Operation mode	Wireless AP, Gateway, WISP, Wi-Fi Repeater
WAN Type	Dynamic IP/Static IP/PPPoE/L2TP(Dual Access) /PPTP(Dual Access)
Wireless Security	64/128-bit WEP, WPA / WPA2, WPA-PSK/ WPA2-PSK encryption
SSID	Multiple SSID (4 SSID for 2.4G, 8 SSID for 5.8G)
Firewall	DoS, SPI Firewall, IP Address Filter/MAC Address Filter/Domain Filter IP and MAC Address Binding
Protocols	IPv4

Others	
Package Contents	2200Mbps Tri-Band wireless access point Ethernet Cable Quick Installation Guide Setting Accessory
System Requirements	Microsoft Windows 98SE, NT, 2000, XP, Vista™ or Windows 7, Windows 8, MAC OS, NetWare, UNIX or Linux
Environment	Operating Temperature: -20~55 °C Limit working temperature: -30~70 °C Storage Temperature: -40~70 °C Humidity: 5%~95% non-condensing
Management	Firmware GUI, Remote Management, WLAN Controller, Cloud Management System

AirPro Wi-fi Solution



www.airpro.in