



## **AIR AP920 Dual-band Indoor Wireless Access Point**

**AIR AP920**

Boost your wireless signal and enjoy ultimate coverage

## Quick Overview

AirPro AIR AP920 is the highest price-performance entry Wi-Fi 6 enterprise indoor access point. Certified by Tolly's latest Test Report, the AIR AP920 verified on user capacity upto 1024 Wi-Fi clients, and provides upto 65% higher total throughput in legacy Wi-Fi 5 environments.

- Maximize ROI (Lifetime Free Cloud Management).
- Hybrid Management (Cloud / Controller / Standalone).
- Fast Provisioning by AirPro Cloud.
- Automated Radio Optimization by Big Data Technology.
- Stylish Design (Integrated Antenna).
- Dual-band access points in AirPro SME AP Series.

## What does this product do?

AirPro truly understands the challenges of having the best class of Wi-Fi along with ultra-high-performance. AIR-AP920 supports selectable dual-band dual-radio (2.4G + 5G or 5G+5G) mode to guarantee the best compatibility and highest performance. Maximum of 2.4Gbps wireless throughput when dual 5G radio high-performance mode adopted, and upto 1.775Gbps throughput at normal 2.4G+5G mode. The AIR-AP920 fully complies with Wi-Fi 6 OFDMA Modulation, MU-MIMO, and BSS Color Spatial Reuse, allowing AP920 guarantees minimal signal interference and a maximum of 1024 client connections.

Additionally, AIR-AP920 is IoT ready with an integrated module of BLE, without the need of external modules and additional investment. Verified by Tolly Test Report, AIR-AP920 provides nearly line-rate throughput at 955Mbps wireless performance by built-in Gigabit uplink port.

Upon the uprising challenges of management efficiency and wireless security, all AirPro enterprise APs support hybrid management mode. Either deployed as standalone AP (Fat mode) or managed AP (Fit mode), the AP will detect the operation mode automatically without extra effort on firmware upgrade. For additional security and operation, we recommend the enterprise customers to choose either one of the below wireless controller options depending on the functionality and capacity:

### Ultra-High Performance Wi-Fi for SMEs -

#### AirPro Hybrid Cloud Plus Cloud Management (Optional) for Enterprise Office and Campus

- Targeted for enterprise office and campus with single or multiple sites and high-density AP deployment.
- The controller appliances are installed at the customer's site with fully integrated wireless management and authentication features, supporting up to 5000 APs per cluster.
- Optionally, the cloud management platform allows for value-added features like centralized device configuration and monitoring, AI radio (RF) optimization, reporting, etc..

**AirPro Private Cloud for ISP, Government, MNC-**

- Targeted for ISP/MSP, government, or multi-national corporation (MNC) with diverse customer sites and demand on the integration of their billing, portal, and security systems.
- The AirPro Cloud supports unified device management, not only for wireless access points, but also switches and gateway devices.

**AirPro Public Cloud for SME -**

- Targeted for the SME segment with integrated captive portal, authentication (such as PPSK for employees, Facebook, voucher, account, etc.), and reporting features.
- Together with AirPro Cloud, SME customers can provision and manage their networks at fingertips.

**Enterprise Support for SME -**

- AirPro SME products are all bundled with an exclusive 2-year product warranty free of charge.
- AirPro customers can also enjoy complimentary professional online support which is staffed with AirPro certified experts to respond to your problems efficiently.

**Key Features**

AirPro AIR-AP920 is specially designed for dense Wi-Fi usage environments like Restaurant, Hotel Reception, Enterprise Office, MNC, Government & Conference Room, Student Lecture Hall, etc. Upto 1024 clients per AP supported by AIR-AP920, max wireless throughput up to 2.4Gbps, this is taken advantage of IEEE 802.11b/g/n/ax & 802.11a/n/ac/ax standard and unique Concurrent Dual-band design, with the 2.4G radio and 5G radio for client access at concurrent, each radio can effectively load balance the traffic without bringing additional interference for the environment.

- Max 2.4Gbps by selectable Dual-Band Design (2.4G + 5G or 5G+5G).
- Max 1024 Client connections.
- OFDMA, MU-MIMO and BSS Technology for minimal wireless signal interference.
- AI Wireless Optimization: one-click optimization powered by AirPro Cloud technology.
- Hybrid Management: support standalone AP to over thousands of APs with deployment options of appliances, private cloud or public cloud service.
- Mobility Management: Free available for AirPro Base private cloud or AirPro Public Cloud customers.

**Flexible Hybrid Management -**

- AirPro SME AP offers the flexibility for SME to choose the mode of management.
- It supports standalone AP to over thousands of APs with deployment options of appliances, private cloud, or public cloud service
- For the AirPro Cloud option, no extra cost or firmware upgrade is required, which saves company expenses and time.



**Stylish Design & Mobility Management -**

- SME APs all employ a simplistic and stylish design to fit different scenarios.
- The APs feature an integrated antenna design and hidden LAN port along with hidden cabling to hide the messy wires, which gives a professional and simplistic deployment style that is less noticeable.

**PPSK Enterprise Authentication -**

- For internal staff, it is hassled to maintain the pre-defined PSK and distribute it among them.
- Especially for the off boarding employees, potential Wi-Fi PSK leaked out could be harmful to your network.
- With AirPro PPSK, you now can easily provide different Wi-Fi passwords for each user.
- It is tied to individual end-user devices like laptops or smart phones and the same password can't be used by others.
- The possibility of a Wi-Fi password leak is eliminated completely.

**Relevant Standard -**

- Wi-Fi Alliance Certification (Support)
  - Wi-Fi CERTIFIED™ a, b, g, n, ac
  - Wi-Fi CERTIFIED 6™
  - WPA3™-Enterprise, Personal
  - Wi-Fi Enhanced Open™
  - Wi-Fi Agile Multiband™
  - WMM®
- Radio Standard (SRRC, EN300 328, EN301893)
- EMC Standard (GB9254, EN301489)
- Safety Standard (GB4943, EN/IEC 62368-1)
- Health Standard (EN 62311)

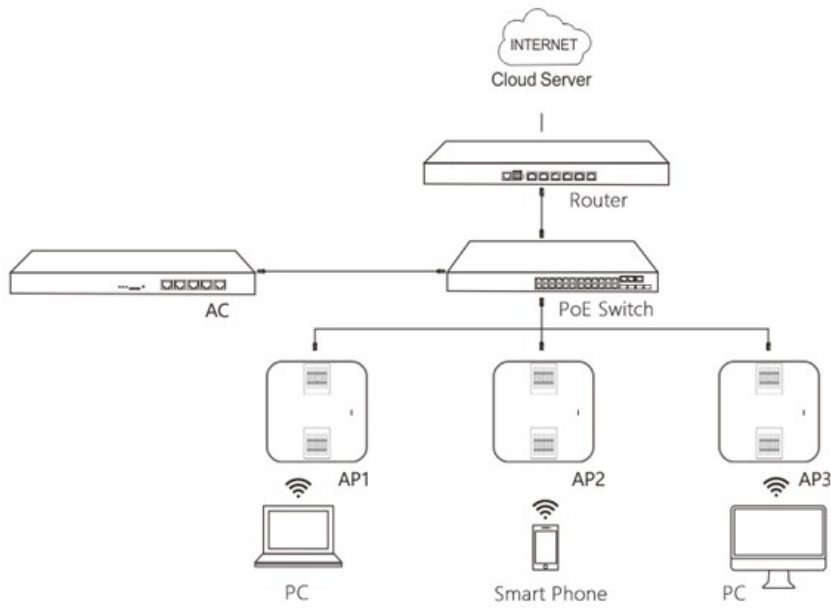
## TECHNICAL SPECIFICATIONS

Hardware	
Model	AIR Ap920
<b>Basic Spec</b>	
Radio	Dual-radio dual-band : 4x4 MIMO
Protocol	Supports standard 802.11ax, dual-radio dual-band, concurrent 802.11ax and 802.11a/b/g/n/ac
Operating Bands	802.11b/g/n/ax: 2.4G ~ 2.483GHz 802.11a/n/ac/ax: 5.150~5.350GHz, 5.47~5.725GHz, 5.725~5.850GHz (vary depending on different countries)
Max Throughput	Maximum throughput (5G+5G mode) per AP: 2.4Gbps Radio 1: 5G low band 1.2Gbps Radio 2: 5G high band 1.2Gbps  2.4G+5G operation mode, maximum throughput per AP: 1.775Gbps Radio1: 2.4G 0.574Gbps Radio2: 5G 1.2Gbps
Modulation	OFDM: BPSK@6/9Mbps, QPSK@12/18Mbps, 16-QAM@24Mbps, 64-QAM@48/54Mbps DSSS: DBPSK@1Mbps, DQPSK@2Mbps, and CCK@5.5/11Mbps MIMO-OFDM: BPSK, QPSK, 16QAM, 64QAM, 256QAM and 1024QAM OFDMA (up to 1024-QAM)
Receiver Sensitivity	11b: -96dBm (1Mbps), -93dBm (5Mbps), -89dBm (11Mbps) 11g: -91dBm (6Mbps), -85dBm (24Mbps), -80dBm (36Mbps), -74dBm (54Mbps) 11n: -90dBm (MCS0), -70dBm (MCS7), -89dBm (MCS8), -68dBm (MCS15) 11ac HT20: -88dBm (MCS0), -63dBm (MCS9) 11ac HT40: -85dBm (MCS0), -60dBm (MCS9) 11ac HT80: -82dBm (MCS0), -57dBm (MCS9) 11ax Ht80: -82dBm (MCS0), -57dBm (MCS9), -52dBm (MCS11)
Antenna	Integrated antenna design
Antenna Gain	2.4G: 5dBi 5G: 5dBi
Service Ports	1 10/100/1000M Ethernet ports, PoE In
Management Port	1 console port
Reset Button	Support
Anti-theft Lock	Support
LED Indicator	1 LED indicator (Supports red, green, blue, orange and flashing mode, which indicates device access.
Transmit Power	≤100mw (23dBm) (Vary depending on different countries)
Adjustable Power	1dBm
Power Supply	Local power supply (DC 48V/1A) Power adapters are sold separately) PoE (802.3af) - full spectrum operation
Power Consumption	< 12.95W
<b>PHYSICAL SPECIFICATIONS</b>	
Temperature	Operating Temperature: -10°C to 50°C Storage Temperature: -40°C to 70°C
Humidity	Operating Humidity: 5% to 95% (non-condensing) Storage Humidity: 5% to 95% (non-condensing)
Installation Mode	Ceiling/wall-mountable
Dimensions (W x D x H)	153mm x193mm x26mm (Height of the AP only, excluding the mount kit)
Weight	< 0.5kg (include mount kit)
IP Rating	Ip41
MTBF	250,000 hours
<b>Certifications and Compliance</b>	
Wi-Fi Alliance	· Wi-Fi CERTIFIED™ a, b, g, n, ac · Wi-Fi CERTIFIED 6™ · WPA3™-Enterprise, Personal · Wi-Fi Enhanced Open™ · Wi-Fi Agile Multiband™ · WMM@

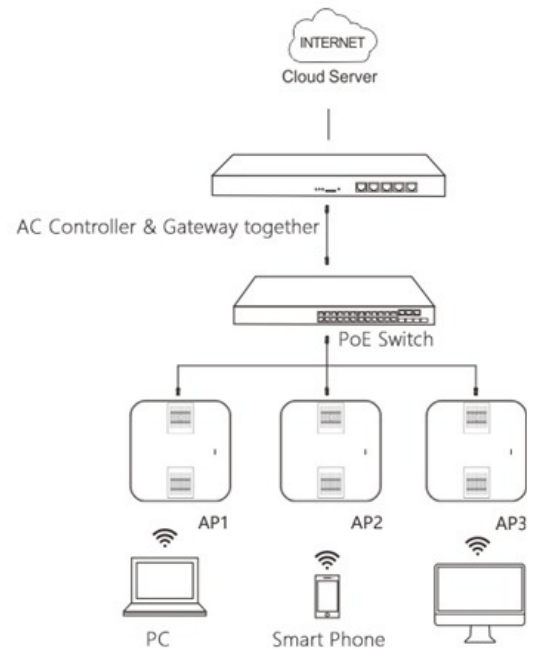
## TECHNICAL SPECIFICATIONS

Safety Standard	GB4943, EN/IEC 62368-1
EMC Standard	GB9254, EN301 489
Radio Standard	SRRC, EN300 328, EN301 893
<b>Software Specifications</b>	
<b>WLAN</b>	
Maximum clients per AP	1024
BSSID capacity	Up to 32
SSID hiding	Support
5G Priority (Band Steering)	Support
Configuring the authentication mode, encryption mechanism and VLAN attributes for each SSID	Support
Remote Intelligent Perception Technology (RIPT)	Support
Intelligent device recognition technology	Support
Intelligent load balancing based on the number of users or traffic	Support
STA control	SSID/radio-based
Bandwidth control	STA/SSID/AP-based bandwidth control
Data encryption	WPA (TKIP), WPA-PSK, WPA2 (AES), WPA3, WEP (64/128 bits)
PSK and web authentication	Support
PPSK authentication (For Employee)	Support (require wireless controller)
802.1x authentication	Support
PEAP authentication	Support
Data frame filtering	White list, static/dynamic blacklist
User isolation	Support
Rogue AP detection and countermeasure	Support
Dynamic ACL assignment	Support
RADIUS	Support
CPU Protection Policy (CPP)	Support
Network Foundation Protection Policy (NFPP)	Support
<b>IP</b>	
IPv4 and IPv6 address	Support
Multicast routing	Multicast to unicast conversion
DHCP service	DHCP Snooping, Option 82, Server, Client
<b>Management and Maintenance</b>	
Supported wireless	AirPro WS Series Wireless Controller
LAN controllers	AirPro MACC-Base Software Controller AirPro Cloud (Public Cloud)
Management protocol	Telnet, SSH, TFTP, Web
Wireless Intelligent AI Optimization Service (WIS)	Support
SNMP	SNMPV1,V2c,V3
LLDP	LLDP, LLDP-MED, LLDP-POE
Syslog / Debug	Support
FAT/FIT/MACC mode switching	Factory default firmware supports FAT (standalone) or FIT mode (WS controller) or MACC mode mode management

# AirPro Wi-fi Solution



Connection Diagram 1



Connection Diagram 2



[www.airpro.in](http://www.airpro.in)